

EVFT Illuminator™ Long Twin Tube

Fluorescent Luminaires

- Cl. I, Div, Groups B & C(suffix GB), D
- Cl. I, Zone 1 Group IIB + H2(suffix GB), IIA
- Cl. II, Div 1, Groups E,F,G
- Cl. III Simultaneous Presence

- Paint Spray
- Marine & Wet Locations
- 3,3R, 4,4X; IP66

6L

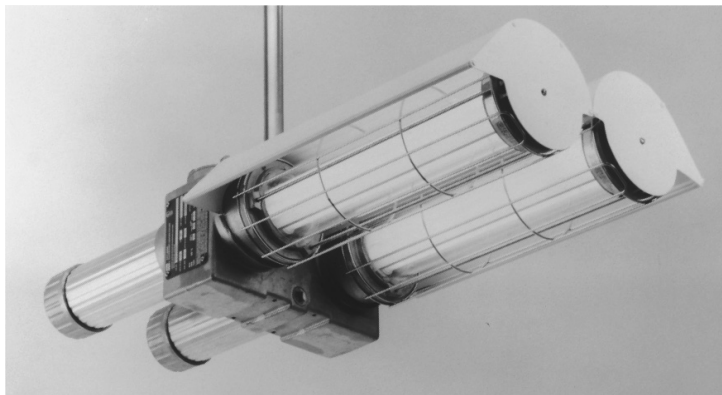
Application:

Illuminator™ compact fluorescent luminaires are used:

- In areas made hazardous by the presence of flammable gases and vapors, combustible dusts, or easily ignitable fibers and flyings.
- In areas where combustible dusts and flammable gases are present simultaneously.
- In applications involving low mounting heights, restricted mounting space, or where luminaire weight must be minimized.
- In areas where corrosion, vibration, moisture, dirt and rough usage are a problem.
- In refineries, chemical and petrochemical facilities, grain processing, handling and storage facilities, manufacturing plants, waste water treatment facilities, airline and mass transit maintenance areas, paint spray facilities, breweries, pharmaceutical plants and other areas where safe, reliable hazardous area lighting is required in a compact, cool operating and efficient light source.

Features:

- Efficient fluorescent light source in 78 and 156 watts.
- Adjustable right and left asymmetrical reflectors provide excellent light "aimability" – ideal for task oriented lighting.
- Compact, light weight and low profile design allows easy installation and broad industrial application.
- Cast copper-free aluminum with epoxy powder finish (less than 0.4 of 1% copper) provides excellent resistance to corrosion.
- Versatile luminaire housing provides choice of pendant, wall or ceiling mount.
- Suitable for paint spray areas. Linear light source provides excellent color rendition for paint spray tasks. Easy to install, disposable, clear tube wrap helps maintain maximum light output during painting operations.
- Threaded construction, factory wiring and sealing help minimize installation time. No external seals are required.
- Fixtures are used with two or four long twin tube single-ended fluorescent lamps.
- Optional stainless steel guard provides extra protection for lamps and lamp tube.
- Optional clear polycarbonate tube provides 360° protection for lamps and lamp tube; ideal for maintenance pit and pharmaceutical applications.
- Grounding connection for safety.
- Available for 120 or 277 VAC.
- Standard electronic ballast.



4 lamp with stainless steel wire guard and adjustable reflectors

Certifications and Complies:

- NEC and CEC:
 - Class I, Division 1 Group D
 - Class I, Division 1 Group B,C,D (suffix GB)
 - Class I, Zone 1 Group IIA
 - Class I, Zone 1 Group IIB + H2 (suffix GB)
 - Class II Groups E,F,G
 - Class III
 - Simultaneous Presence (Cl. I and Cl. II)
 - Paint Spray

Note: Aiming Limitations

- Cl. II, Cl III & Simultaneous Presence
 - Aim Down to Horizontal
 - Cannot aim up
- UL Standards
 - 844 Hazardous (Classified) Locations
 - 1598 Luminaires
 - 1598A Marine Locations
- CSA Standards
 - C22.2 No. 137

Standard Materials:

- Center and ballast housings, end caps – copper-free aluminum
- Lamp tube – heat resistant glass.
- Guards – stainless steel or clear polycarbonate material.
- Reflectors – aluminum

Standard Finishes:

- Center and ballast housings, end caps, guards – natural
- Reflectors – white epoxy finish

Temperature Performance Data:

Luminaire Type	Minimum Operating Temp.	Maximum Ambient Temp.	Class I, Division 1 & Zone 1 Class II, Division 1 Simultaneous Presence	Supply Wire
2 and 4 Lamp	10°C (50°F)	40°C (104°F)	T4A	75°C

Electrical Ratings:

- Input voltage – 120 or 277 VAC, 60Hz
- Wattages – 78 – 2-lamp luminaire
156 – 4-lamp luminaire

Options:

Suffix to be added to Catalog Number

- Fused to protect circuit under abnormal conditions (not available on CSA certified luminaires) S658*
- Luminaire supplied with lamps S714
- Class I, Groups B and C suitability
Pendant mount only! GB

Fixture Weights (lbs.):

- Illuminator – 2 lamp with guard 19.5
- Illuminator – 4 lamp with guards 36.5
- RAL1, RAR1 reflectors (each) 3.0
- Deduct for luminaire without P51 Guard:
1 lb. for 2 lamp
2 lbs. for 4 lamp

* When ordering Fuses for luminaires, option S658, you must specify the operating voltage. S658 can not be ordered with /MT in the catalog number.

6L Fluorescents

6L

EVFT Illuminator™ Long Twin Tube Fluorescent Luminaires

- Cl. I, Div 1, Groups B & C (Suffix B), D
- Cl. I, Zone 1, Groups IIB + H2 (Suffix B), IIA
- Cl. II, Div 1, Groups E, F, G
- Cl. III, Simultaneous Presence
- Paint Spray
- Marine & Wet Locations
- 3,3R, 4,4X; IP66

EVFT Illuminator

Style	Hub Size	Luminaire Voltage	Class I Cat. No. with Group D Suitability		Class I Cat. No. with Group B, C & D Suitability	
			Without Guard	With P51 Guard†	Without Guard	With P51 Guard†
2 Lamp	3/4	120	EVFT22320	EVFT22321	EVFT22320-GB	EVFT22321-GB
	3/4	277	EVFT22370	EVFT22371	EVFT22370-GB	EVFT22371-GB
4 Lamp	3/4	120	EVFT24320	EVFT24321	EVFT24320-GB	EVFT24321-GB
	3/4	277	EVFT24370	EVFT24371	EVFT24370-GB	EVFT24371-GB

† P51 supplied in separate carton.

Accessories

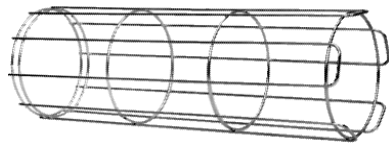
- Stainless steel wire guard P51
- Reflector right hand RAR1
- Reflector left hand RAL1
- Polycarbonate tube PG1 (not used with optional stainless steel wire guard)
- Disposable clear wrap – 5 pack. PTW1 (for use with optional polycarbonate tube)

Note: Aiming Limitations: In Class II, Class III and Simultaneous Presence locations

- Aim down to Horizontal.
- To prevent dust from accumulating in reflector, do not aim up.



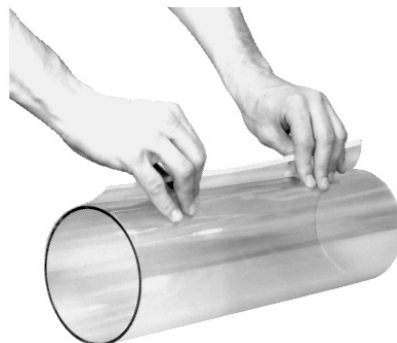
Reflectors (as viewed facing front of fixture).



Stainless steel guard

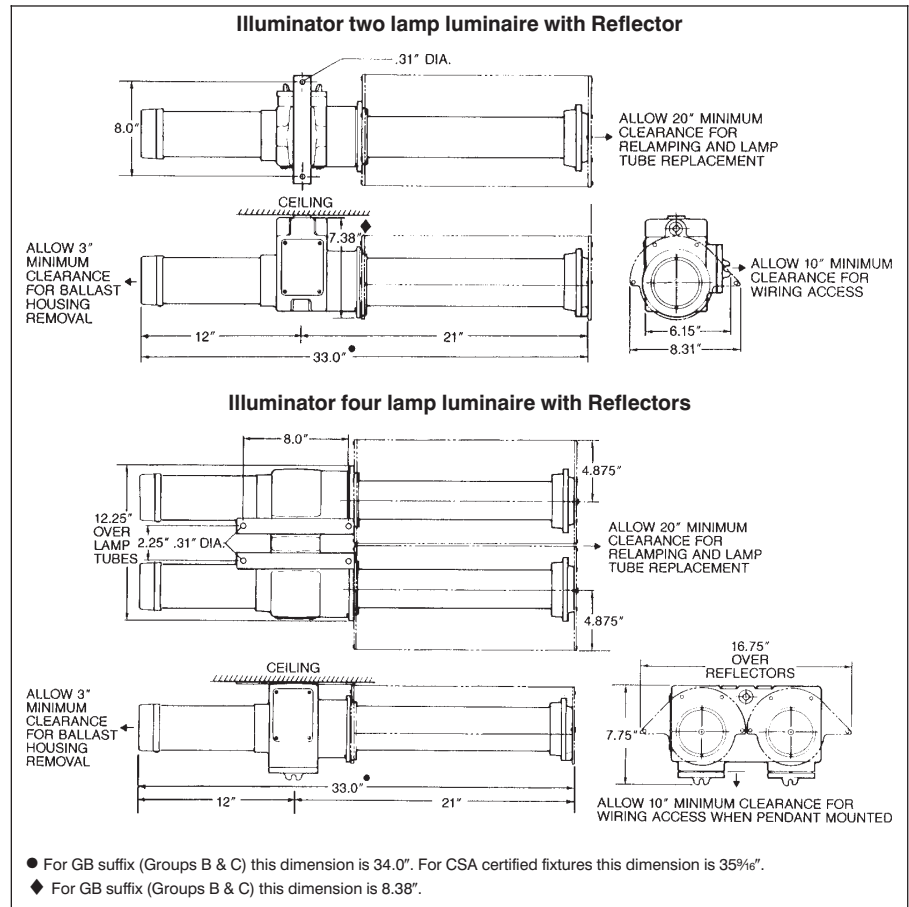


Polycarbonate tube and retaining plate



Disposable polyester tube wrap (used over optional polycarbonate tube)

Dimensions



6L Fluorescents